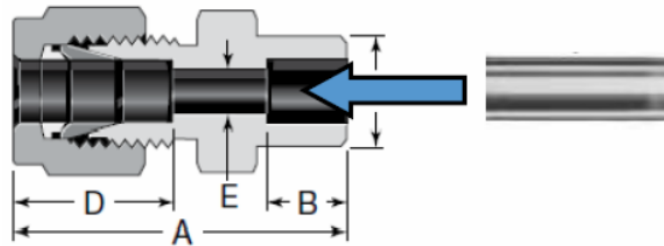




# Pipe Weld vs. Tube Weld

## Tube Socket Weld

With a Tube Socket Weld fitting, the tubing fits **INSIDE** the weld end of the fitting.

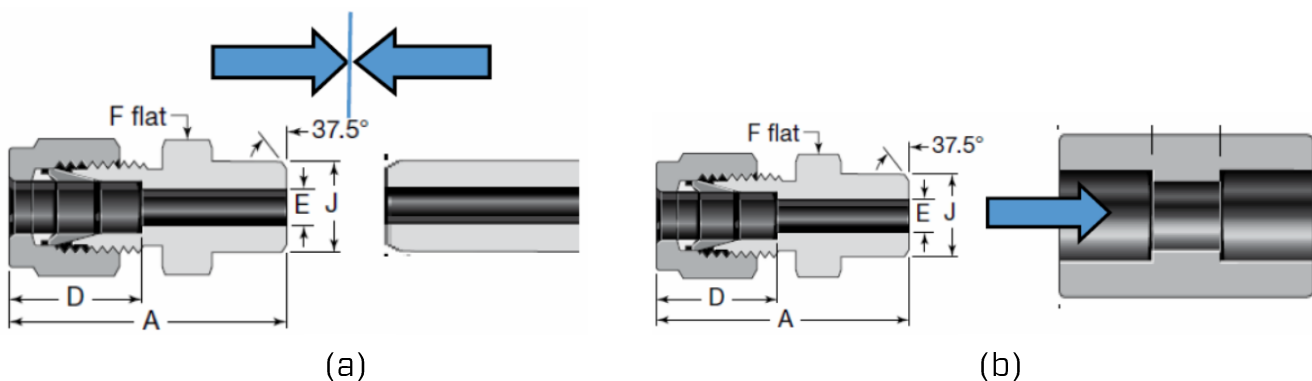


Example Part #: SS-810-**6**-8W

## Male Pipe Weld

With a Male Pipe Weld fitting, the weld end can either:

- (a) **BUTTWELD** to a piece of pipe, or
- (b) can slip **INSIDE** a Pipe Socket Weld end.



Example Part #: SS-810-**1**-8W